

# STEAM GENERATOR SPECIFICATION SHEET

**Not intended for use as installation instructions.  
Refer to specific generator model installation instructions for further detail.**

## PRODUCT OVERVIEW

- Water Resistant Speaker for music
- Thermostatically controlled
- The unit can be used for both domestic and commercial use as the unit can be connected to 220/240v or commercially in to 3 phase
- Shower room thermostatic sensor to facilitate automatic cut out when temperature reached.
- Ozone Module (o3) (optional)
- Overload protection circuit. Extraction capability to exceed 10 litres of air per second.
- Heat barrier shields internally fitted rated to exceed 1000 degrees Fahrenheit (537 degrees Centigrade) using the latest micron pattern technology, similar to those used with high performance automotive engineering.
- Full stainless steel pre-steam reservoir.
- Full stainless steel external casing.
- Fan for room ventilation
- External fan to further aid in the cooling process and prolong component life
- Control panel extension cable to allow for up to 5 meter mounting
- Comprehensive installation booklet
- All new Insignia M-touch screen control Panel incorporating: - Bluetooth - FM Radio - Lighting for up to 30v (extension cable not supplied)
- Heavy Duty Brass/Chrome steam outlet



## STEAM GENERATOR SPECIFICATION CHART

Model	KW Rating	Max Cu. Ft.	3 Phase/amps	Single Phase/amps	Dimensions (W x L x H)	Water Tank Capacity	Cold Start To Steam Time
INS6KW	6	250	380V / 9.11 amp	240V / 25 amp	150mmmm x 390mmmm x 360mmmm	2.8 ltrs	2m 50 sec
INS9KW	9	350	380V / 13.67 amp	240V / 37.5 amp	150mmmm x 390mmmm x 360mmmm	2.8 ltrs	1m 50 sec
INS12KW	12	500	380V / 18.23 amp	240V / 50 amp	150mmmm x 390mmmm x 360mmmm	4.6 ltrs	3 minutes

# STEAM GENERATOR

## SPECIFICATION SHEET

### Electrical Service Information

Dedicated circuit required. See specification chart. All electrical wiring to be installed by a licensed electrician in accordance with local and national codes. And a minor works certificate issued (where applicable)

### Plumbing Information

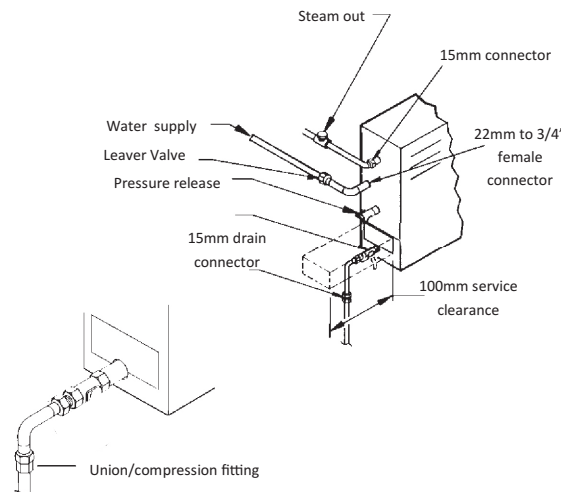
All plumbing shall be installed by a licensed plumber and conform with local & national codes.

### Materials (locally available)

- 15mm copper tube for the water supply to the generator.
- 15mm water supply shut-off valve.
- 22mm x 3/4" male connector
- 22mm x 3/4" female connector
- 22mm copper tube for the steam line between the steam generator and the steam room.
- 15mm copper pipe/flexible hose for the tank drain.
- Silicone
- Pipe compound.
- 90 degree copper bend(s). The amount depends on the exact run required to meet the requirements of the room setup.

### Installation Information

- Mount in dry, well ventilated area, not exposed to freezing temperatures.
- Mount generator level, on its base or hung on a wall.
- Provide adequate access serviceability.
- Copper steam line, not to exceed 20 ft. in length. Slope pipe to avoid condensation build up.
- Do not create traps
- Do not terminate drain into the steam room.



Your new steam unit has the option to add LED 12/V lights to it. To install, simply attach the extension wire and locate the furthest position it reaches. Once done you can add on the optional lights on to this. Whilst the unit does not come with lights please refer to an Insignia approved reseller for assistance.

To operate the light feature simply press and button on the control panel to activate the on/off feature.

### CONTROL PANEL FEATURES

- \* **Button 1** (Lights) Press x1 for lights (Pressing button again turns them off)
- \* **Button 2** (Extractor Fan) On/Off.
- \* **Button 3** (Up Arrow) Radio Search Up, music track select up or Volume increase.
- \* **Button 4** (Audio select) Press to activate the Bluetooth or radio functionality.
- \* **Button 5** (Mode) Press to convert the up and down arrows to volume control. This button can also set the steam time and temperature.
- \* **Button 6** (Steam) Control the steam outlets from the control panel.
- \* **Button 7** (Down Arrow) Radio Search Down, music track select down or Volume decrease.
- \* **Button 8** (Power Button) On/Off. Hold in for three to five seconds to unlock the automatically locking control panel.
- \* **PLEASE NOTE:** When the Control Panel is locked, none of the buttons will work, with the exception of the power button, which will unlock the control panel.

